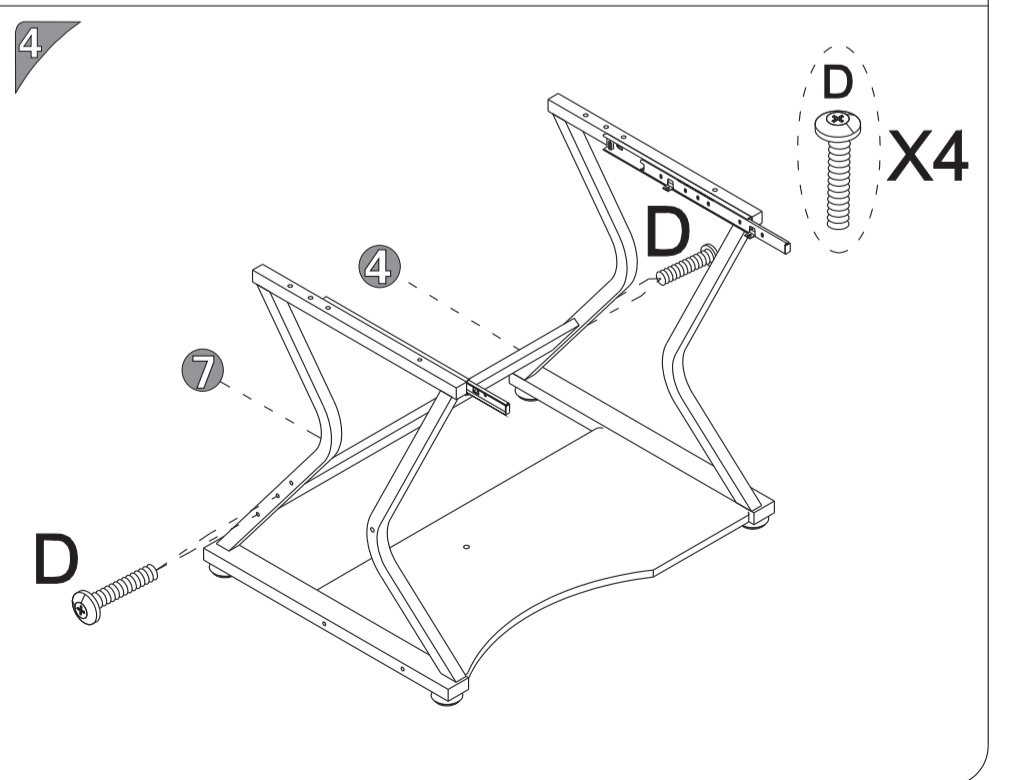
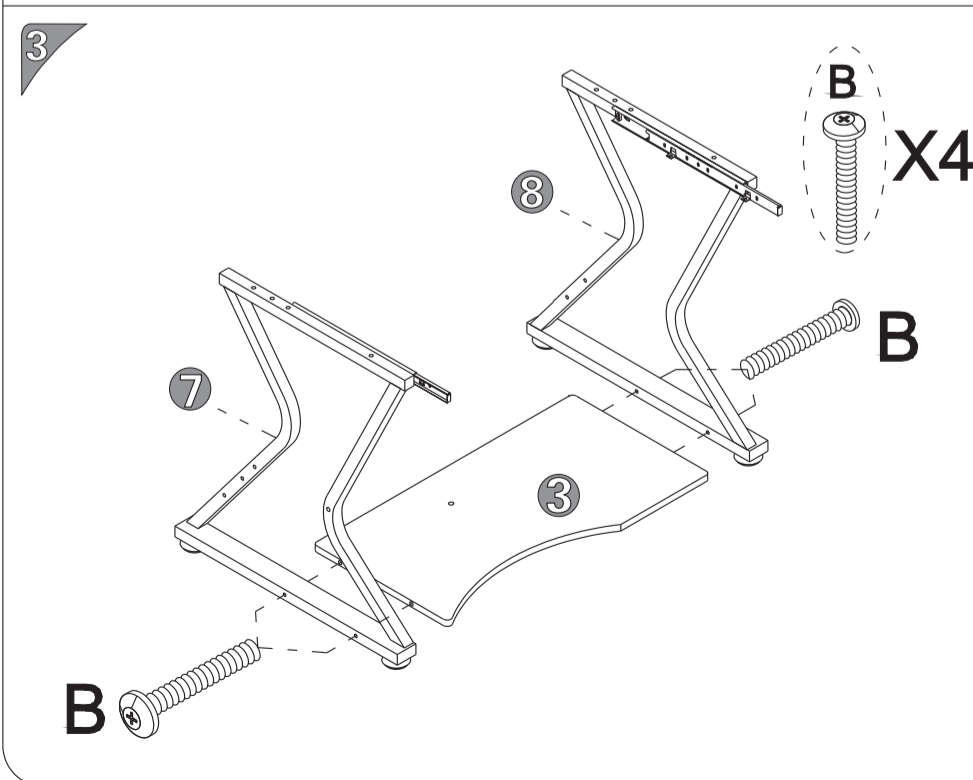
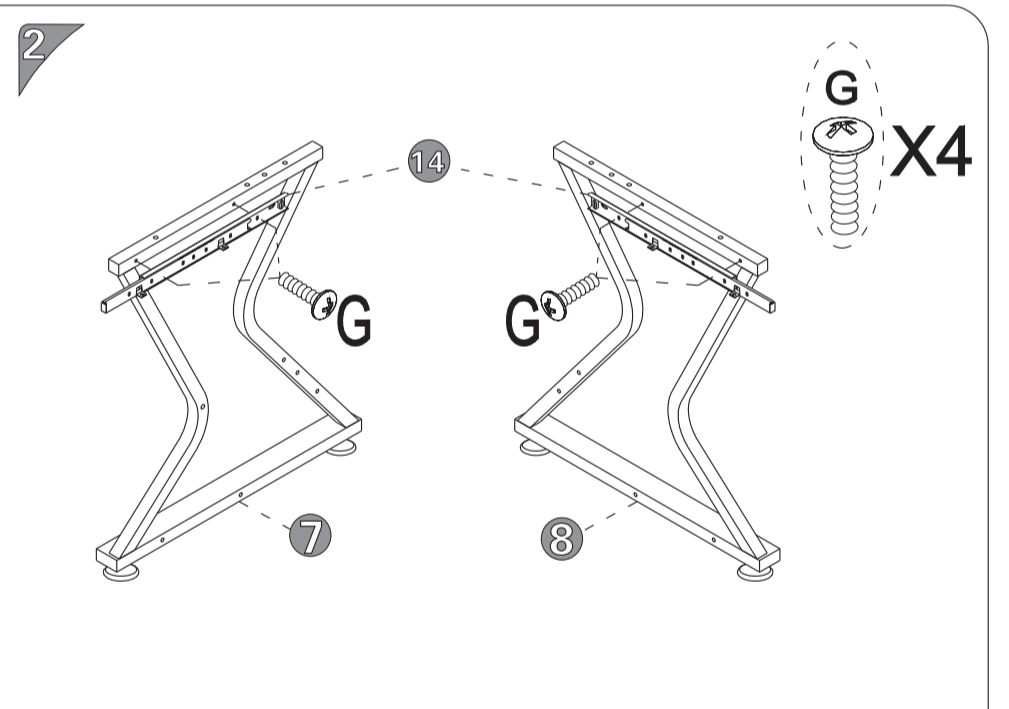
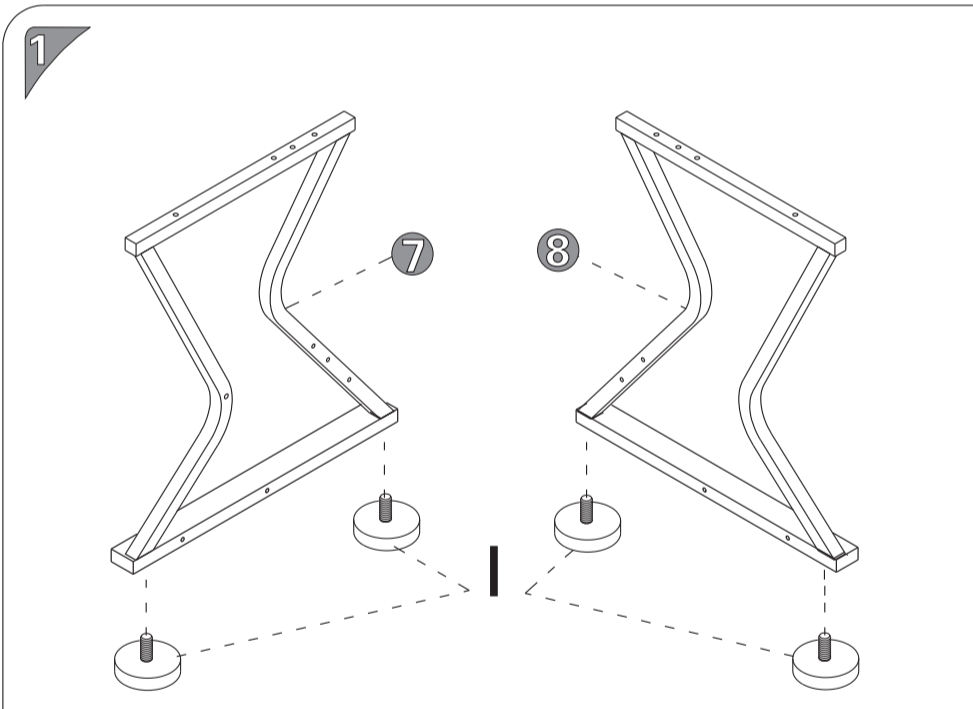
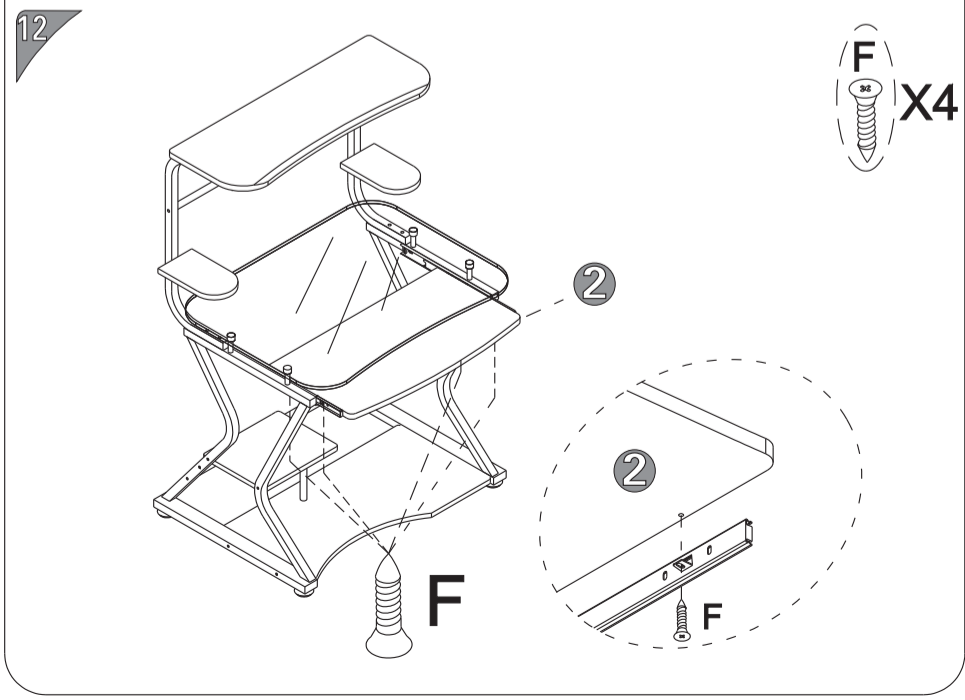
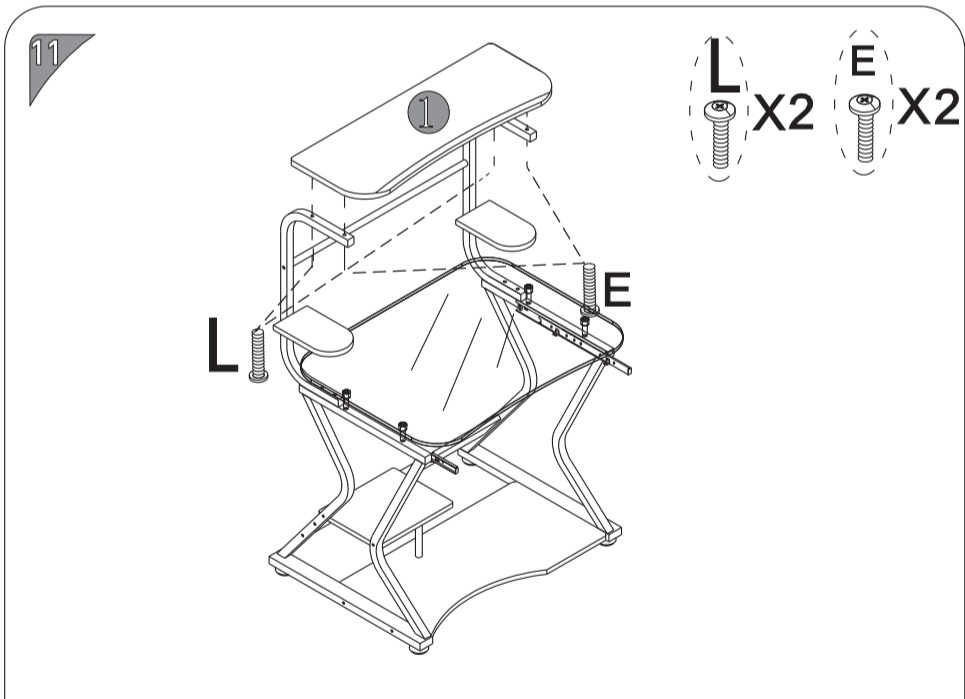
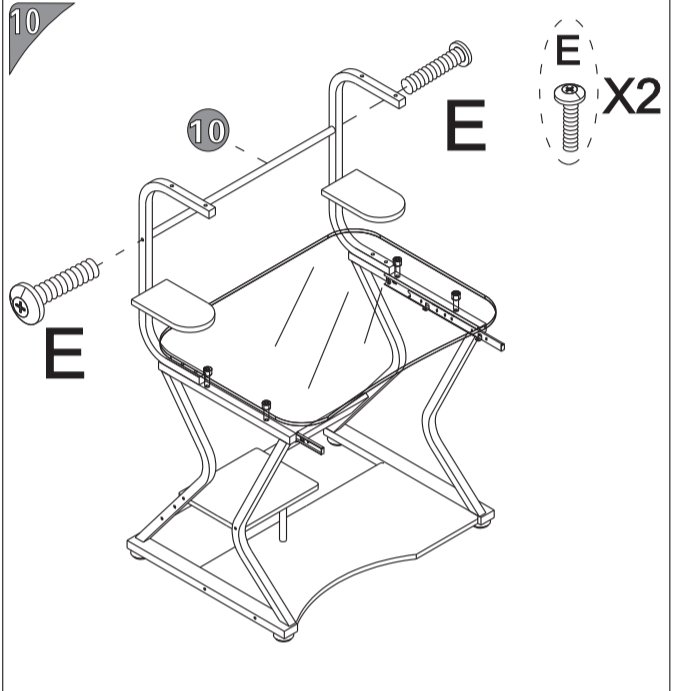
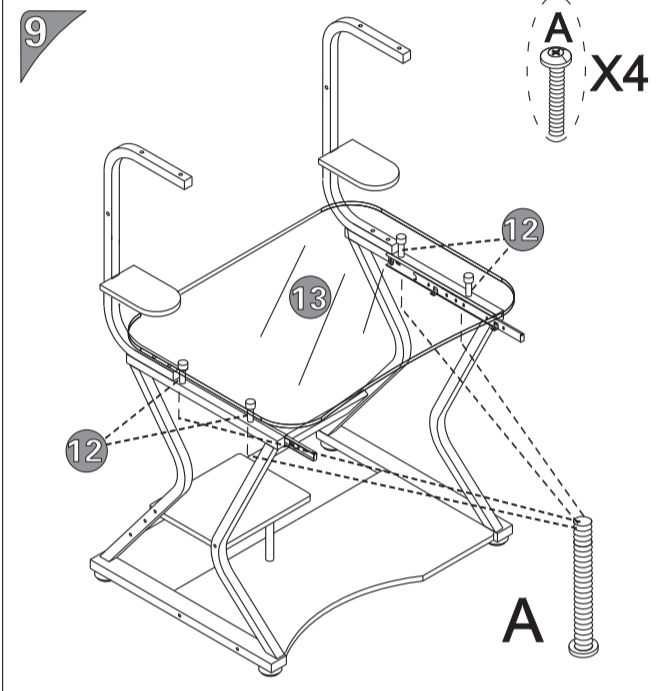
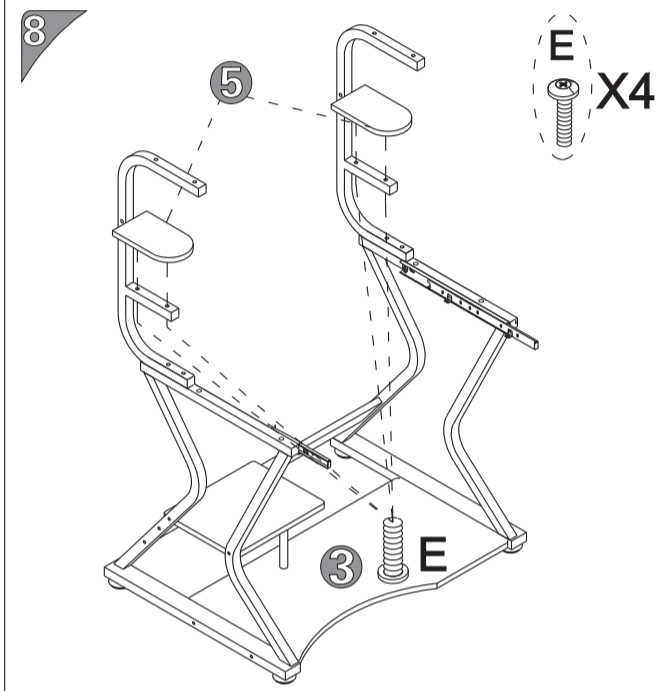
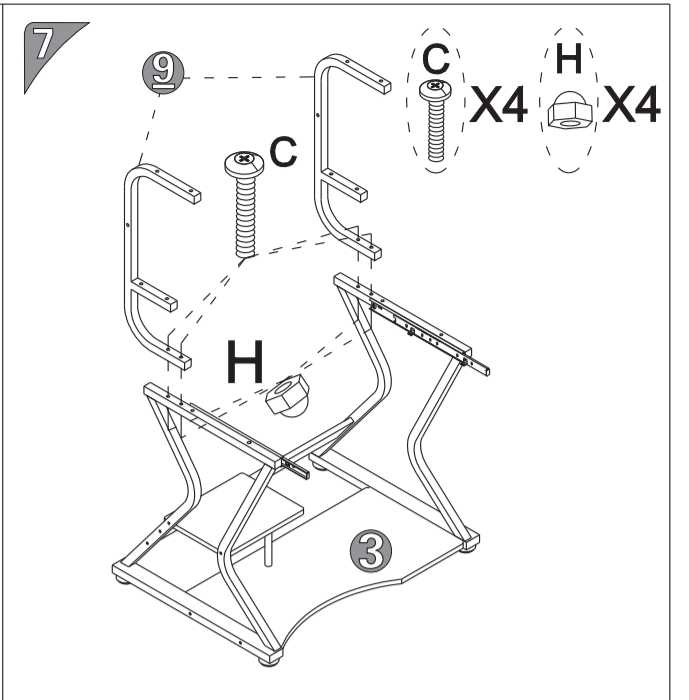
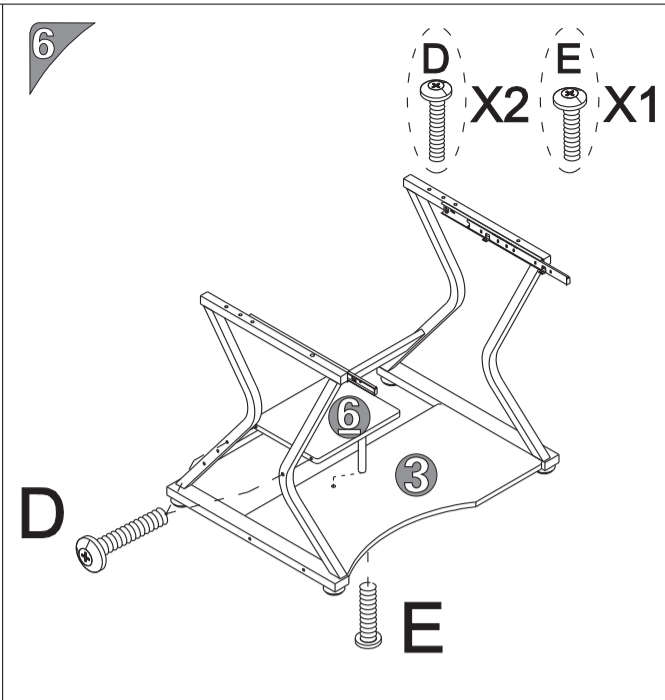
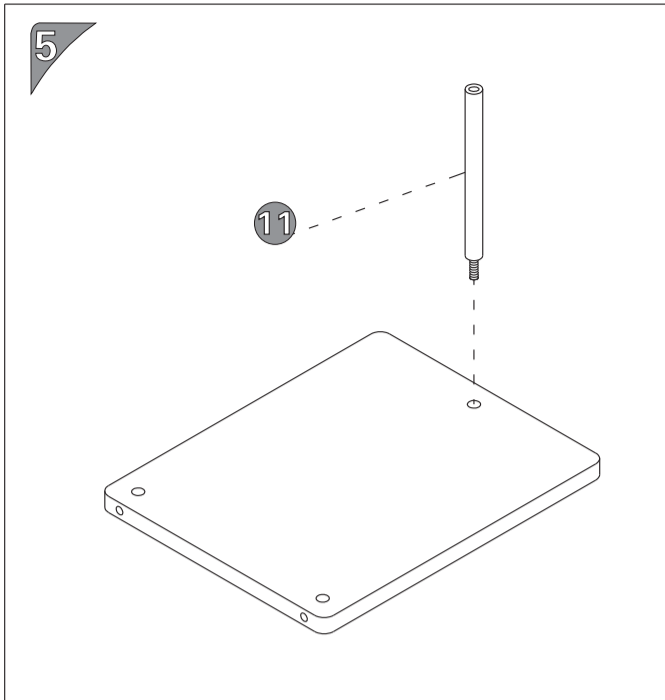


| PART | QTY. | ITEM | |
|------|------|-----------|--|
| A | 4 | M6X90mm | |
| B | 4 | M6X75mm | |
| C | 4 | M6X55mm | |
| D | 6 | M6X50mm | |
| E | 11 | M6X35mm | |
| F | 4 | M3.5X14mm | |

| PART | QTY. | ITEM | |
|------|------|---------|--|
| G | 4 | M4X8mm | |
| H | 4 | M6 | |
| I | 4 | M8X12 | |
| J | 1 | 10~14 | |
| K | 1 | | |
| L | 2 | M6X30mm | |





MULTI FUNCTIONS COMPUTER TABLE

ST-F1062 ASSEMBLY INSTRUCTION

Thanks for purchasing one of our products, please read carefully the assembly instructions before the installation (Attention: Do not tighten the screws before all screws are in place).

